

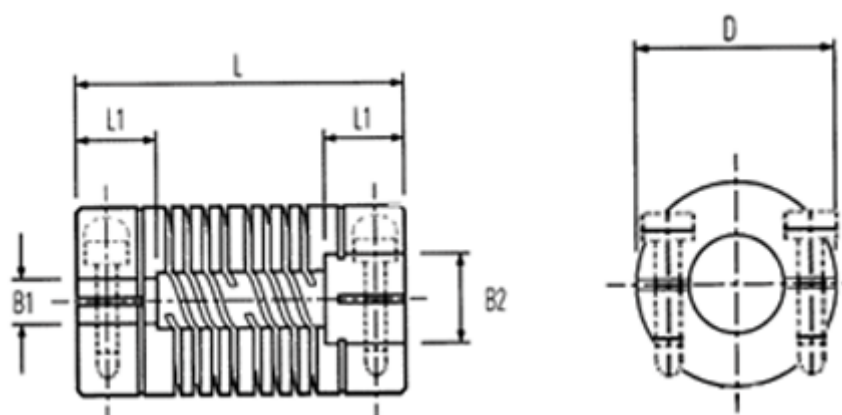
Data Sheet



Article number: 339711160000

Description: Multibeam 6 Coupling 711.16.0000
Acetal & clamp hubs

Measures



B2: Pre-drilled	= 3.0
B2: Pre-drilled	= 6.00
Cap screw	= M2,5
D	= 15.9
L	= 25.4
L1	= 6.5
Max angular displacement	= 0.20
Max B1 & B2	= 8.00

Max parallel displacement	= 5
Peak Torque NM	= 0.91